

Warning!



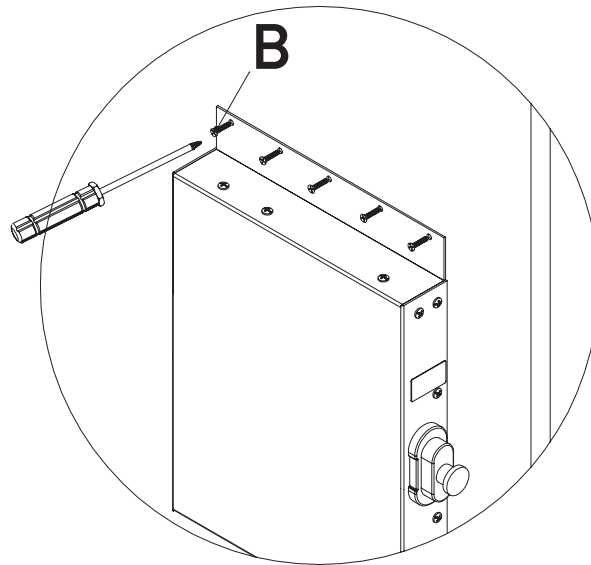
Be sure to read and fully understand this document before installing, operating, your Stazz product. Failure to do so can result in item failure, property damage, or serious injury. Item failure, injury or property damage due to improper installation is not covered by warranty.

**MAXIMIZE SPACE,
MINIMIZE EFFORT.**

STEP 1 - Lower the Lift into Position

With at least two people: one person should press the lift box and gently pull the lift down into position. While the lift is held in place, the second person secures it to the cabinet using the ST4*16 cross countersunk head tapping screws (B).

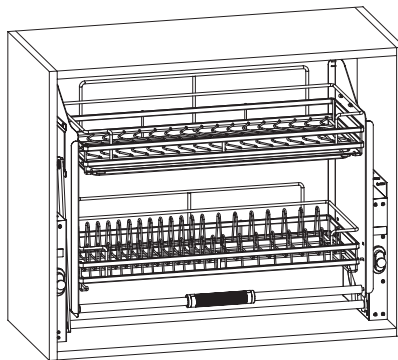
Figure 1



STEP 2 - Secure the Lift Box

Repeat the same procedure on both sides.

Figure 2



DOOR SIZE	
G20114A	864mm
G20114B	764mm